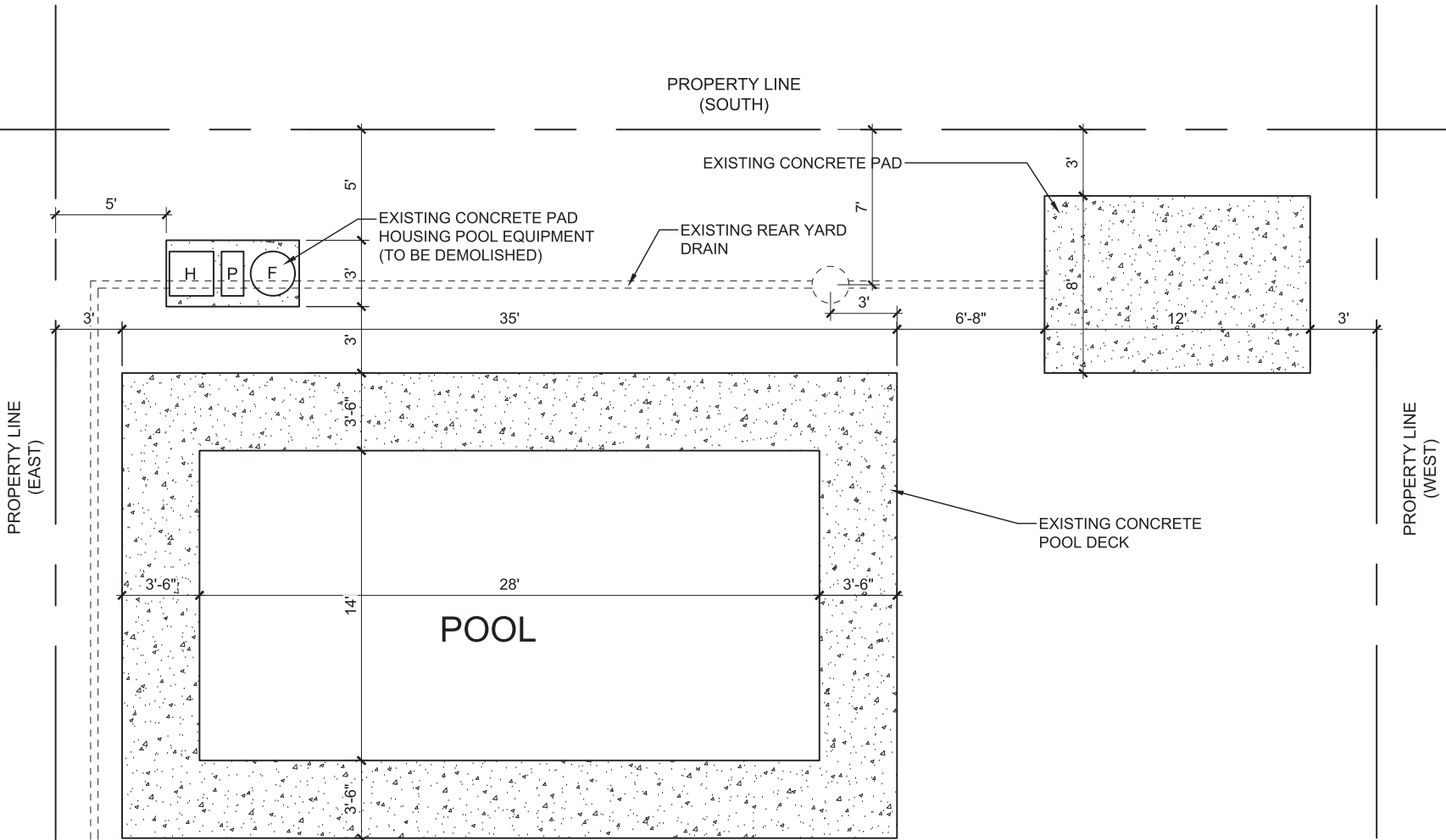




POOL EQUIPMENT LEGEND

- H HEATER
- P PUMP
- F FILTER

NOTES:



# EXISTING YARD LAYOUT

TOP VIEW

DRAWN BY: N. NIFOROS			
SITE: 1107 CHARLOTTE CRESCENT			
TITLE: CURRENT LAYOUT			
SCALE: AS SHOWN	DATE: 17.06.2024	DRAWN BY: N. NIFOROS	CHECKED BY:
PROJECT NO:	DRAWING NO: G01	REVISIONS:	



POOL EQUIPMENT LEGEND

- H HEATER
- P PUMP
- F FILTER

NOTES:

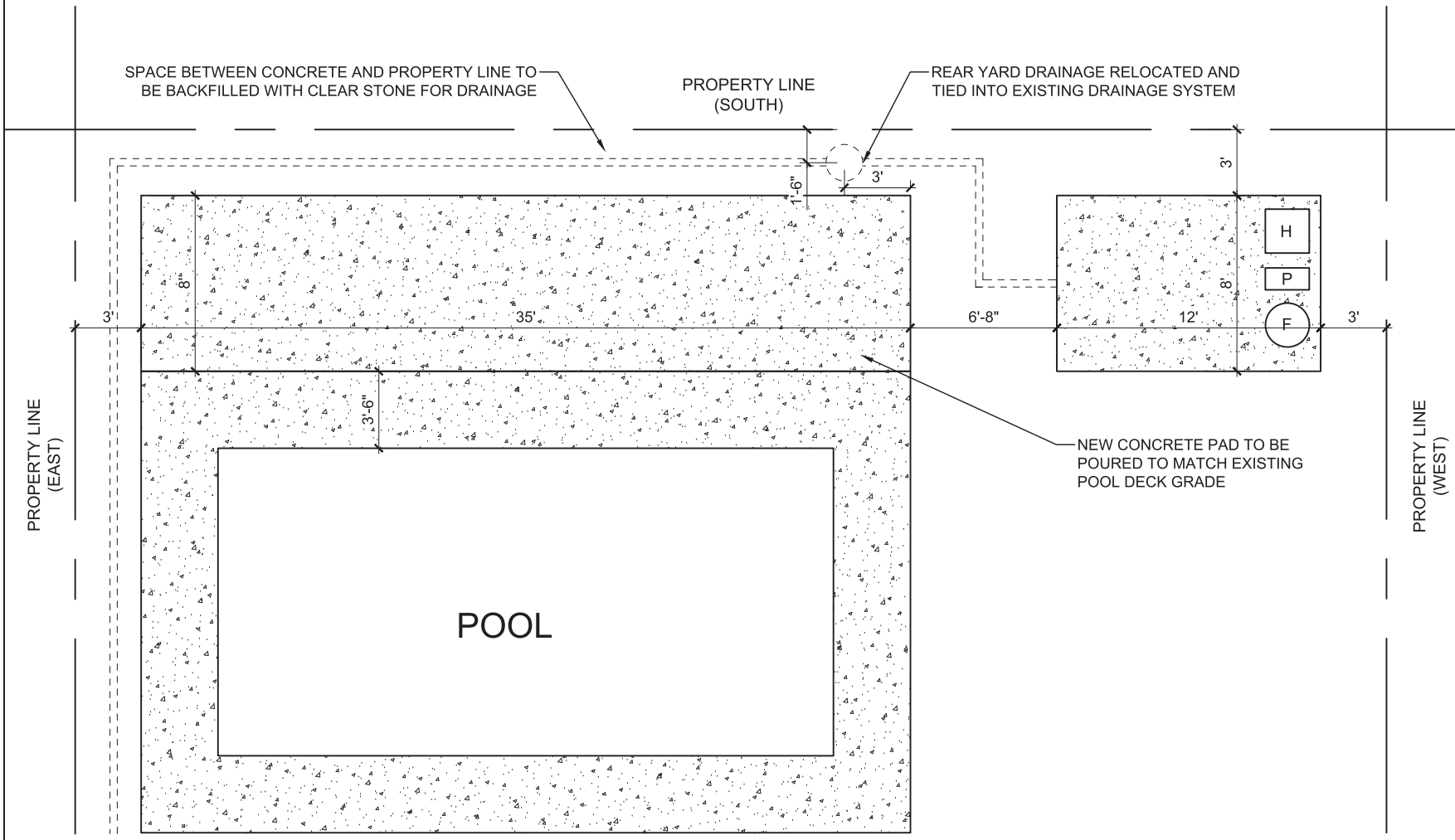
DRAWN BY: N. NIFOROS			
SITE: 1107 CHARLOTTE CRESCENT			
TITLE: PROPOSED LAYOUT			
SCALE AT:	DATE: 17.06.2024	DRAWN BY:	CHECKED BY:
PROJECT NO:	DRAWING NO:	REVISIONS:	
G02			

SPACE BETWEEN CONCRETE AND PROPERTY LINE TO BE BACKFILLED WITH CLEAR STONE FOR DRAINAGE

PROPERTY LINE (SOUTH)

REAR YARD DRAINAGE RELOCATED AND TIED INTO EXISTING DRAINAGE SYSTEM

NEW CONCRETE PAD TO BE POURED TO MATCH EXISTING POOL DECK GRADE



# PROPOSED YARD LAYOUT

TOP VIEW

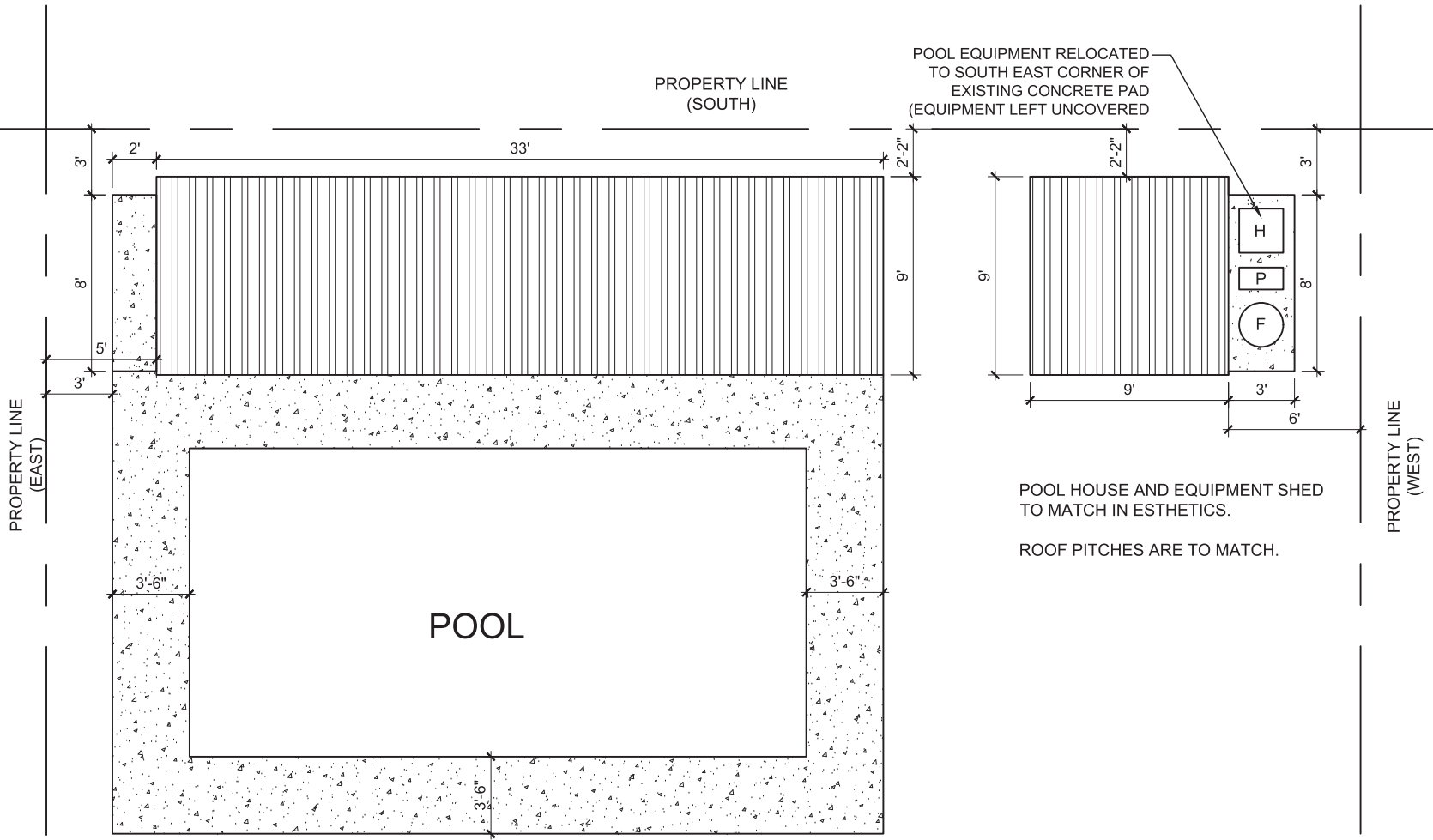


POOL EQUIPMENT LEGEND

- H HEATER
- P PUMP
- F FILTER

NOTES:

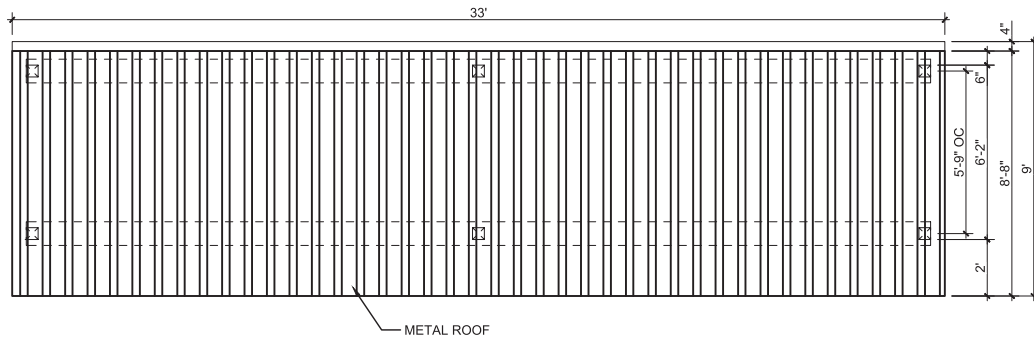
- SOUTH PROPERTY LINE SETBACK:
- 3'-0" - GAZEBO AND SHED REAR WALL
  - 2'-2" - GAZEBO AND SHED ROOF OVERHANG



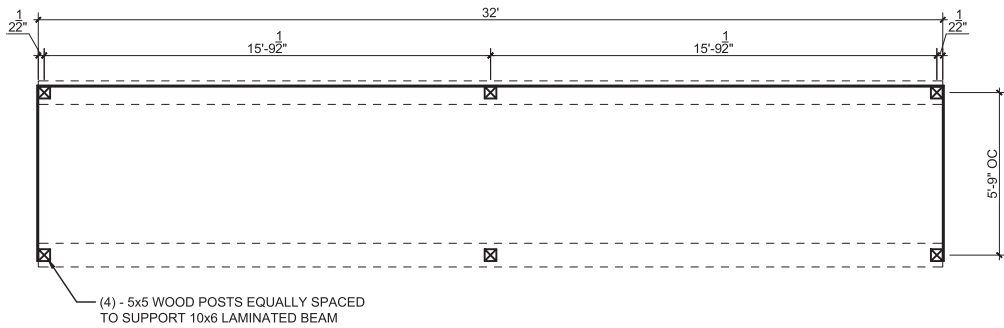
# PROPOSED BUILDINGS

TOP VIEW

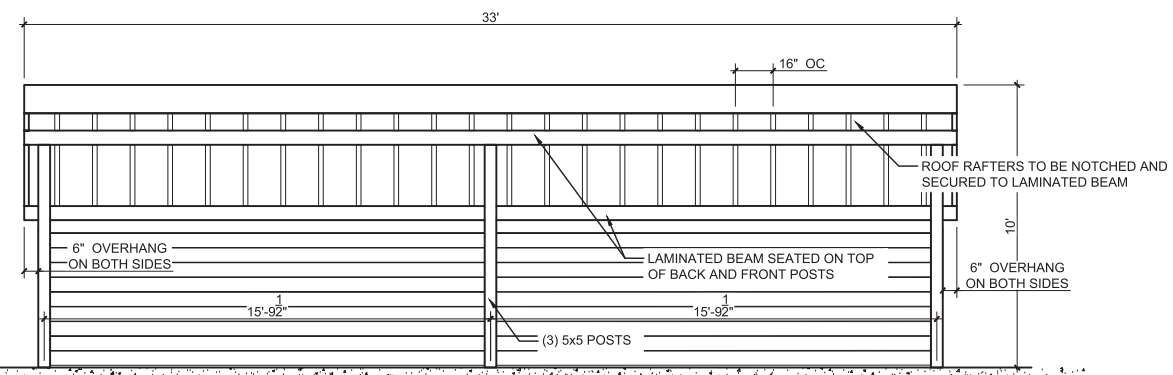
DRAWN BY: N. NIFOROS			
SITE: 1107 CHARLOTTE CRESCENT			
TITLE: PROPOSED BUILDINGS			
SCALE AT:	DATE: 17.06.2024	DRAWN BY:	CHECKED BY:
PROJECT NO:	DRAWING NO:	REVISIONS:	
G03			



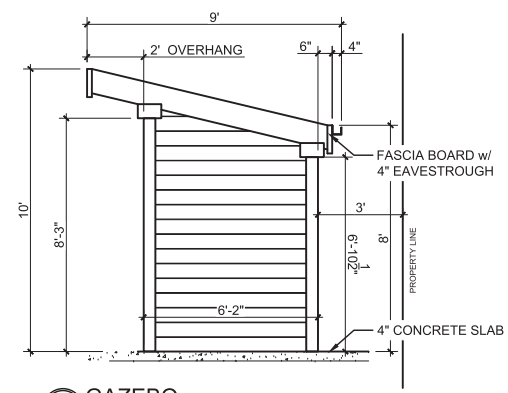
GAZEBO  
TOP VIEW



GAZEBO  
TOP VIEW SECTION



GAZEBO  
NORTH VIEW



GAZEBO  
WEST VIEW

NOTES:

- EXACT BUILDING MATERIALS T.B.D
- WOOD FENCE BOARDS SHOWN FOR CONCEPTUAL DRAWINGS ONLY
- 6" ROOF OVERHANG WITH 4" EAVESTROUGH. TOTAL OVERHANG OF 10".
- SOUTH PROPERTY LINE SETBACK:
  - 3'-0" - GAZEBO AND SHED REAR WALL
  - 2'-2" - GAZEBO AND SHED ROOF OVERHANG

DRAWN: N.NIFOROS			
SITE: 1107 CHARLOTTE CRESCENT			
TITLE: GAZEBO DETAILS			
SCALE: AS	DATE: 17.06.2024	DRAWN:	CHECKED:
PROJECT NO:	DRAWING NO: E01	REVISIONS:	

NOTES:

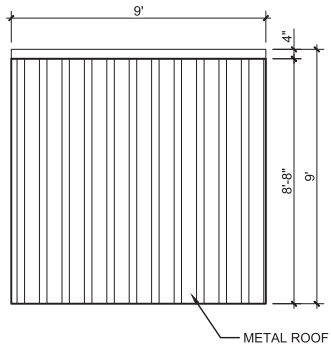
EXACT BUILDING MATERIALS T.B.D

WOOD FENCE BOARDS SHOWN FOR CONCEPTUAL DRAWINGS ONLY

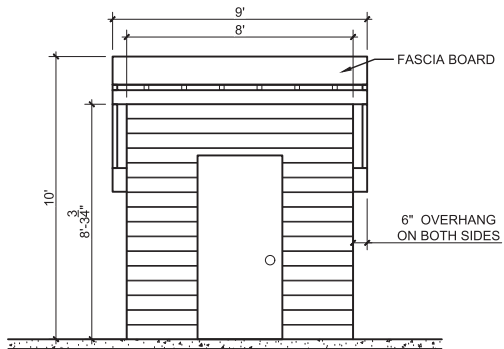
6" ROOF OVERHANG WITH 4" EAVESTROUGH. TOTAL OVERHANG OF 10".

SOUTH PROPERTY LINE SETBACK:

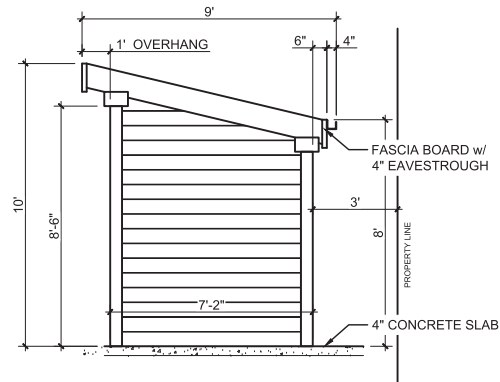
- 3'-0" - GAZEBO AND SHED REAR WALL
- 2'-2" - GAZEBO AND SHED ROOF OVERHANG



**EQUIPMENT SHED**  
TOP VIEW



**EQUIPMENT SHED**  
NORTH VIEW



**EQUIPMENT SHED**  
WEST VIEW

DRAFTER: N.NIFOROS

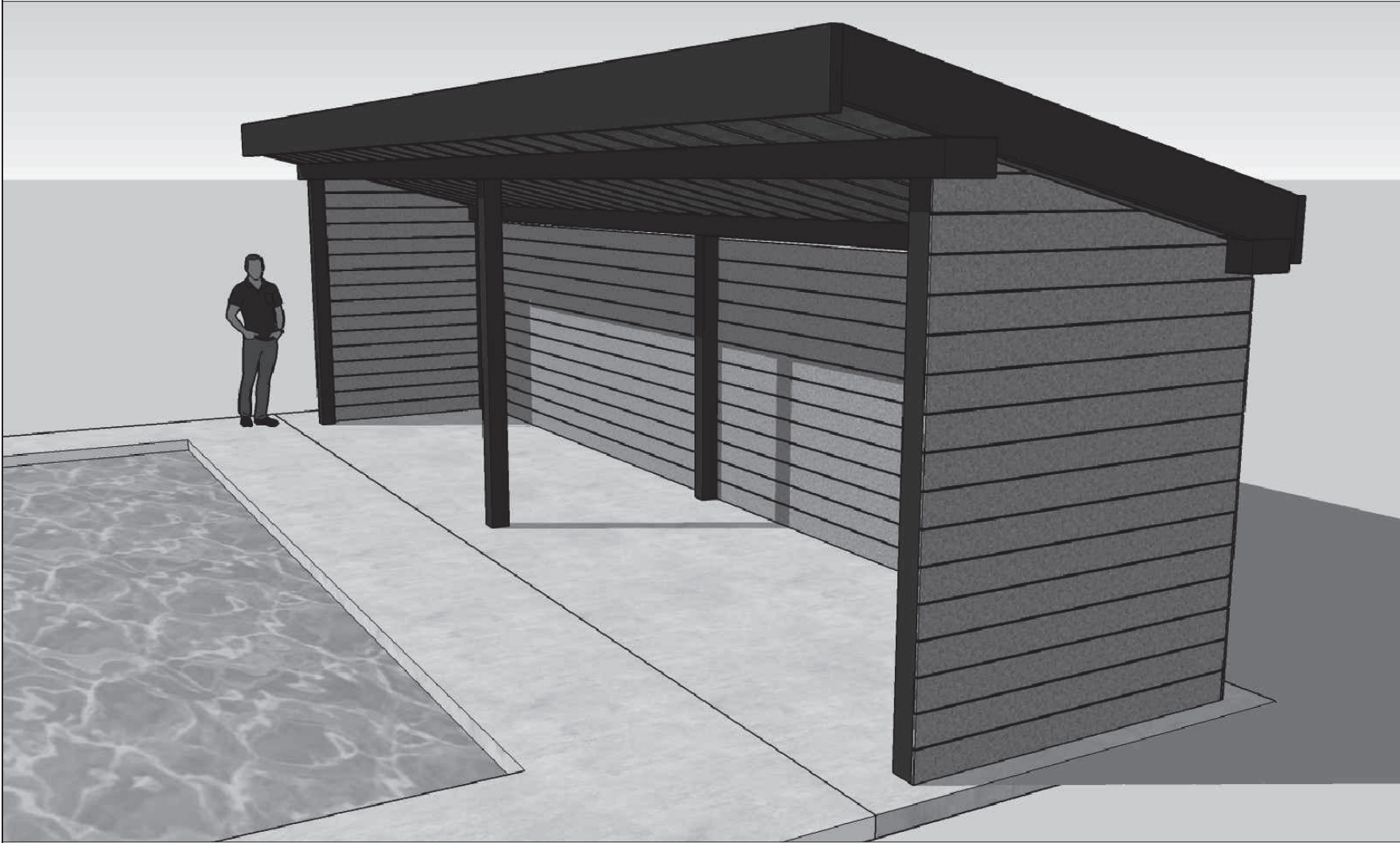
SITE: 1107 CHARLOTTE CRESCENT

TITLE: EQUIPMENT SHED DETAILS

SCALE AT:	DATE:	DRAWN:	CHECKED:
	17.06.2024		

PROJECT NO:	DRAWING NO:	REVISION:
	E02	

# CONCEPTUAL RENDERING OF GAZEBO



NOTES:

EXACT BUILDING MATERIALS T.B.D  
WOOD FENCE BOARDS SHOWN FOR  
CONCEPTUAL DRAWINGS ONLY

DRAFTER: N.NIFOROS

SITE:  
1107 CHARLOTTE CRESCENT

TITLE:  
3D PERSPECTIVE

SCALE AT:	DATE:	DRAWING NO:	CHECKED:
	17.06.2024		
PROJECT NO:	DRAWING NO:	REVISION:	
	P01		